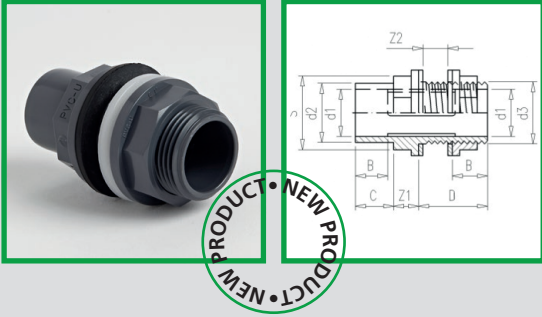


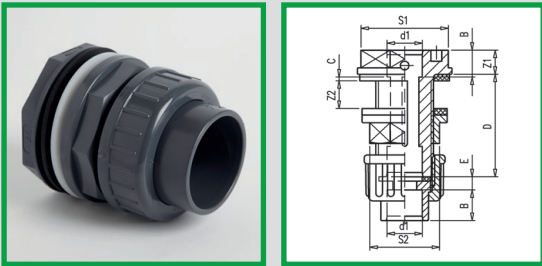
PVC METRIC PRESSURE FITTINGS PLAIN / THREADED (BSP)

TANK CONNECTOR – FEMALE x MALE x BSP MALE THREADED



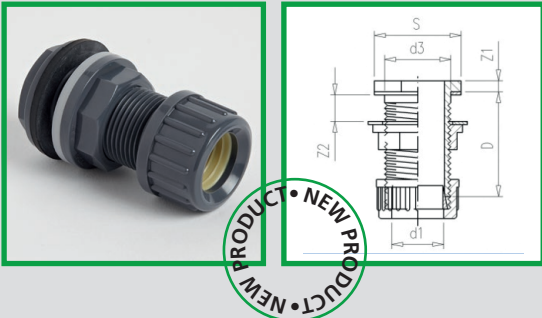
SIZE	PART NO	d1	d2	d3	Z1	Z2	B	C	D	S	Box
20 x 25 x 3/4"	023.2412.02003	20	25	3/4" (M)	13	0-23	16	19	42	32	50
25 x 32 x 1"	023.2412.02504	25	32	1" (M)	15	0-23	19	22	45	40	50
32 x 40 x 1 1/4"	023.2412.03205	32	40	1 1/4" (M)	17	0-26	22	26	49	50	50
40 x 50 x 1 3/4"	023.2412.04006	40	50	1 3/4" (M)	19	0-21	26	31	48	60	50
50 x 63 x 2"	023.2412.05007	50	63	2" (M)	21	0-21	31	38	52	69	45
63 x 75 x 2 1/2"	023.2412.06308	63	75	2 1/2" (M)	23	0-23	38	44	53	85	24

TANK CONNECTOR – WITH UNION



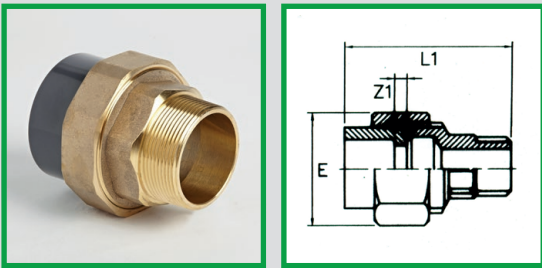
SIZE	PART NO	d1	d3	d4	d5	Z1	Z2	D	S1	S2	Box
16 x 3/4"	023.2732.01603	16	3/4"	5	29	11	0-19	47	40	32	50
20 x 1"	023.2732.02004	20	1"	5	36	12	0-17	49	50	40	50
25 x 1 1/4"	023.2732.02505	25	1 1/4"	5	42	13	0-18	52	50	50	75
32 x 1 1/2"	023.2732.03206	32	1 1/2"	5	49	13	0-19	54	64	56	50
40 x 2"	023.2732.04007	40	2"	5	59	13	0-16	59	78	69	40
50 x 2 1/4"	023.2732.05008	50	2 1/4"	5	70	15	0-16	61	85	76	40
63 x 2 3/4"	023.2732.06309	63	2 3/4"	5	84	15	0-19	69	100	95	25

TABLE DUCT – WITH / WITHOUT CLAMPING NUT



SIZE	PART NO	d1	d3	Z1	Z2	D	S	Box
20 x 3/4"	023.2422.02003	20	3/4" (M)	8	0-25	56	32	100
25 x 1"	023.2422.02504	25	1" (M)	10	0-25	60	40	100
32 x 1 1/4"	023.2422.03205	32	1 1/4" (M)	7	0-25	66	55	100
40 x 1 3/4"	023.2422.04005	40	1 3/4" (M)	7	0-25	78	74	80
50 x 2"	023.2422.05007	50	2" (M)	9	0-30	84	78	45
63 x 2 1/2"	023.2422.06308	63	2 1/2" (M)	9	0-30	90	100	30

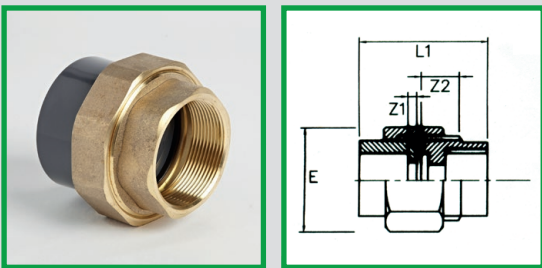
COMPOSITE UNION – MALE BRASS



SIZE	PART NO	E	L1	Z1	Wt (g)
20 x 1/2"	023.762.02002	44	56	3	175
25 x 3/4"	023.762.02503	46	64	3	210
32 x 1"	023.762.03204	55	68	9	318
40 x 1 1/4"	023.762.04005	65	84	10	435
50 x 1 1/2"	023.762.05006	72	86	12	516
63 x 2"	023.762.06307	88	95	14	768
90 x 3"	023.762.09009	122	130	18	1860

PLEASE NOTE: FOR CONNECTING PLASTIC PIPEWORK SYSTEMS TO METAL PIPEWORK SYSTEMS COMPOSITE UNIONS AND/OR FLANGES MUST BE USED

COMPOSITE UNION – FEMALE BRASS



SIZE	PART NO	E	L1	Z1	Z2	Wt (g)
20 x 1/2"	023.752.02002	44	43	3	9	175
25 x 3/4"	023.752.02503	46	48	3	10	186
32 x 1"	023.752.03204	55	54	9	11	290
40 x 1 1/4"	023.752.04005	65	63	10	11	365
50 x 1 1/2"	023.752.05006	72	65	12	12	465
63 x 2"	023.752.06307	88	78	14	14	680
90 x 3"	023.752.09009	122	105	16	18	1610

PLEASE NOTE: FOR CONNECTING PLASTIC PIPEWORK SYSTEMS TO METAL PIPEWORK SYSTEMS COMPOSITE UNIONS AND/OR FLANGES MUST BE USED

• NON COMER PRODUCT

